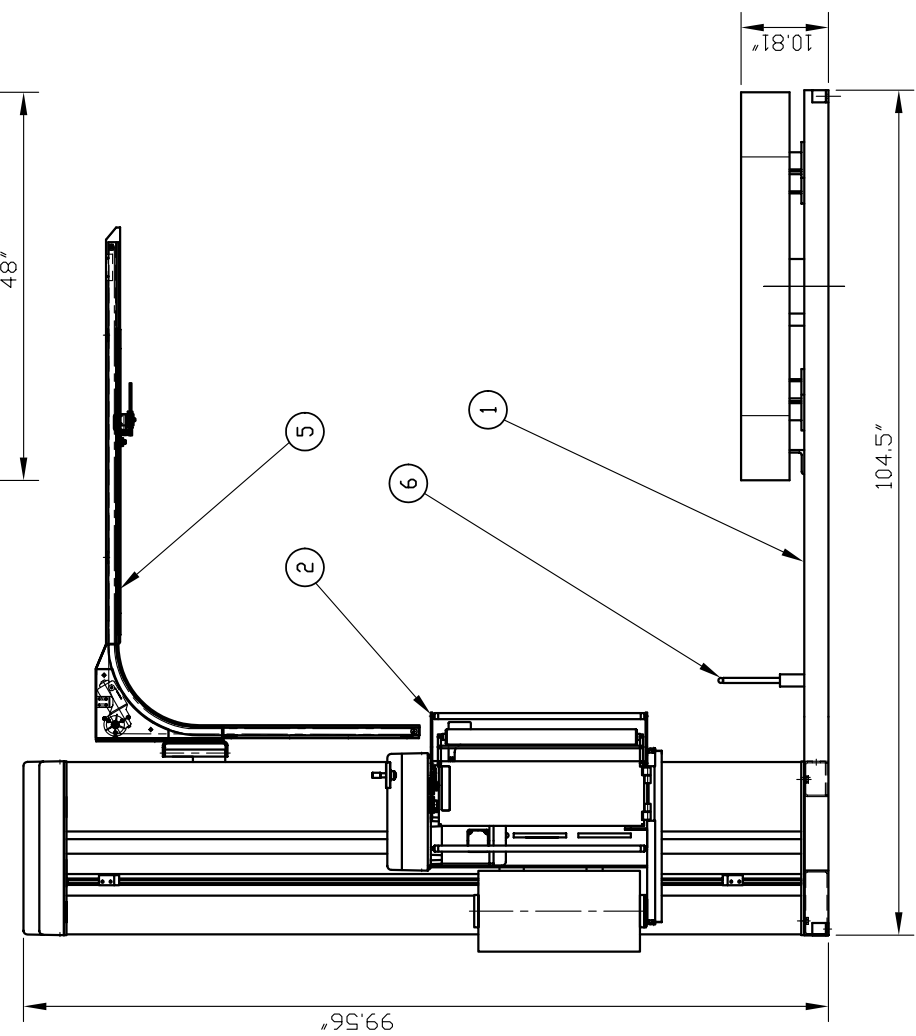
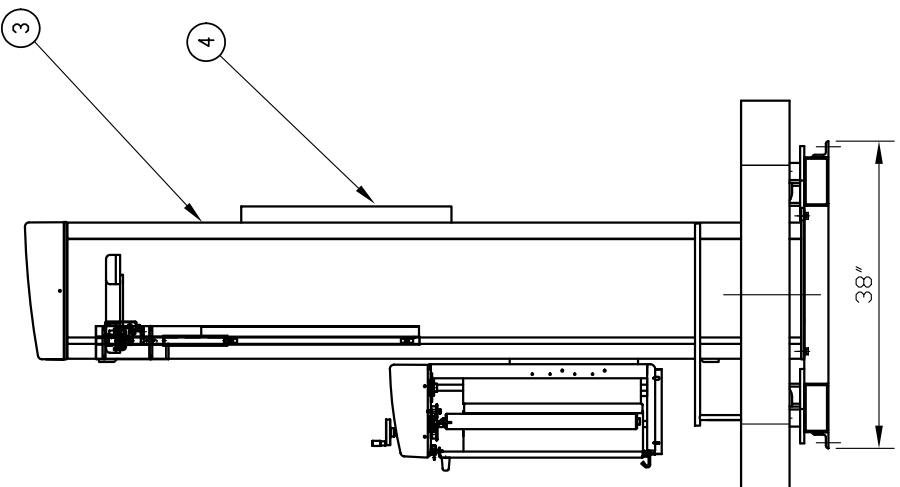
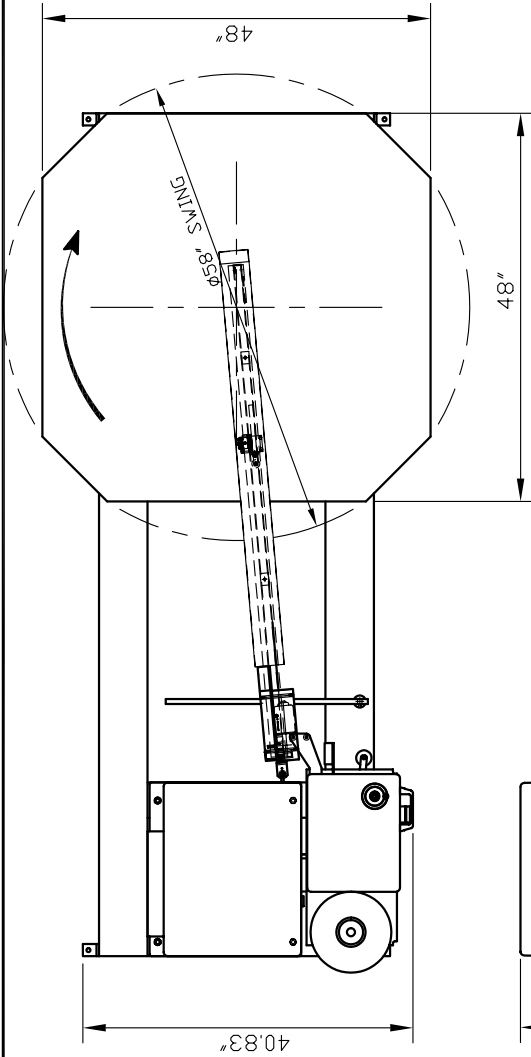


SER. No. *			
MATERIAL LIST			
ITEM	QTY.	DESCRIPTION	PART No.
1	1	BASE ASS'Y C/W 48" OCTAGONAL TURNABLE ASSEMBLY	G2500-053-00
2	1	RAPID THREAD PRESTRETCH CARRIAGE ASSEMBLY	G2900-083-00
3	1	STD. TOWER ASSEMBLY, 80" LOAD HEIGHT	G2700-047-00
4	1	CONTROL PANEL	T.B.A.
5	1	A-ARM DEVICE ASSEMBLY	G6700-038-00
6	1	FILM ROPING BAR	C2509



COUSINS PACKAGING INC.	
SCALE 1 : 12	TITLE HP-SVA PLATFORM AUTOMATIC STRETCH WRAP MACHINE
DATE JUNE 15, 2011	C/W 48" OCTAGONAL TURNABLE, STD. TOWER & A-ARM DEVICE
DRAWN BY	CHECKED BY
SD	
DRAWING NO. G3000-068-00	SHEET 1 OF 1
REVISIONS	REVISION
	0