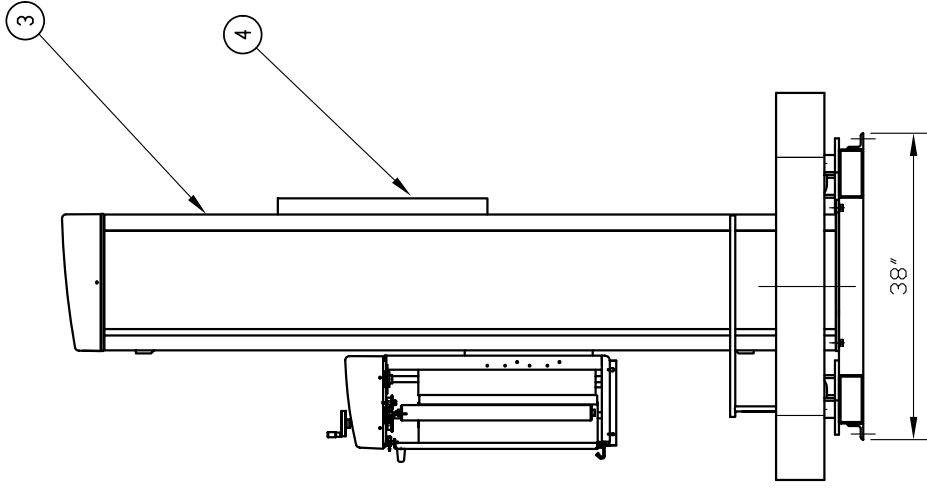
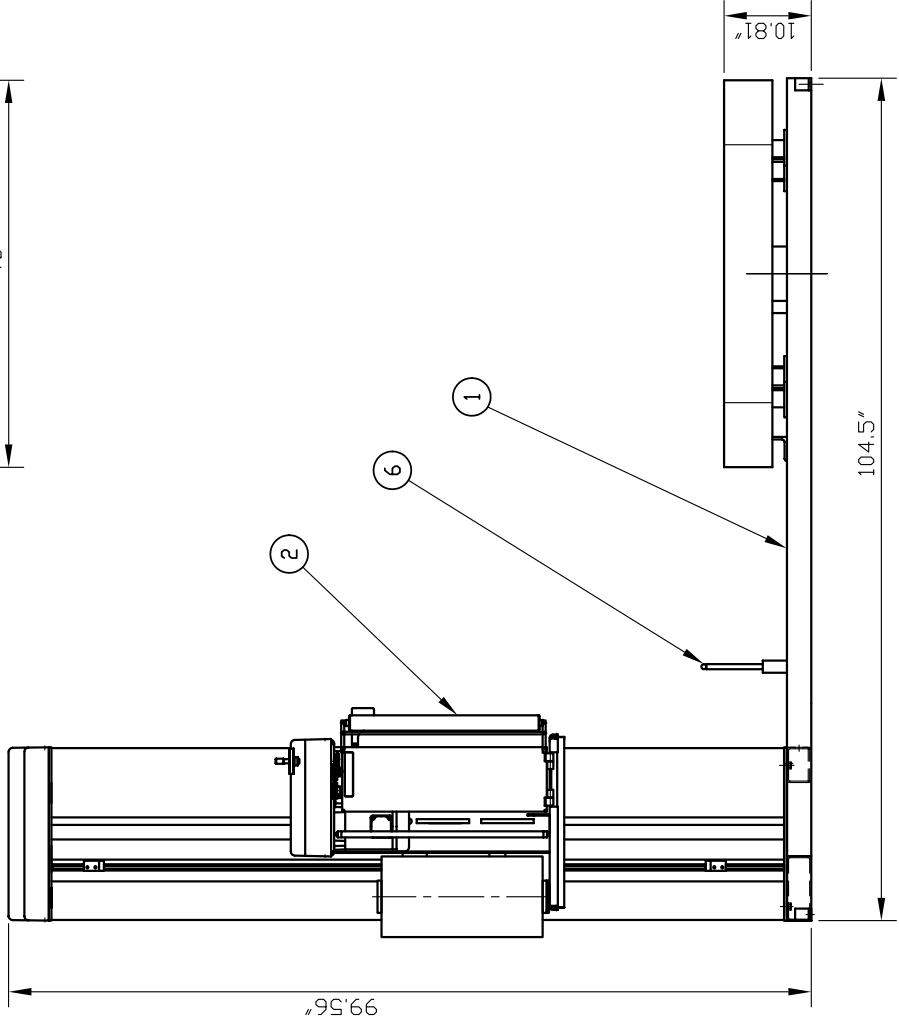
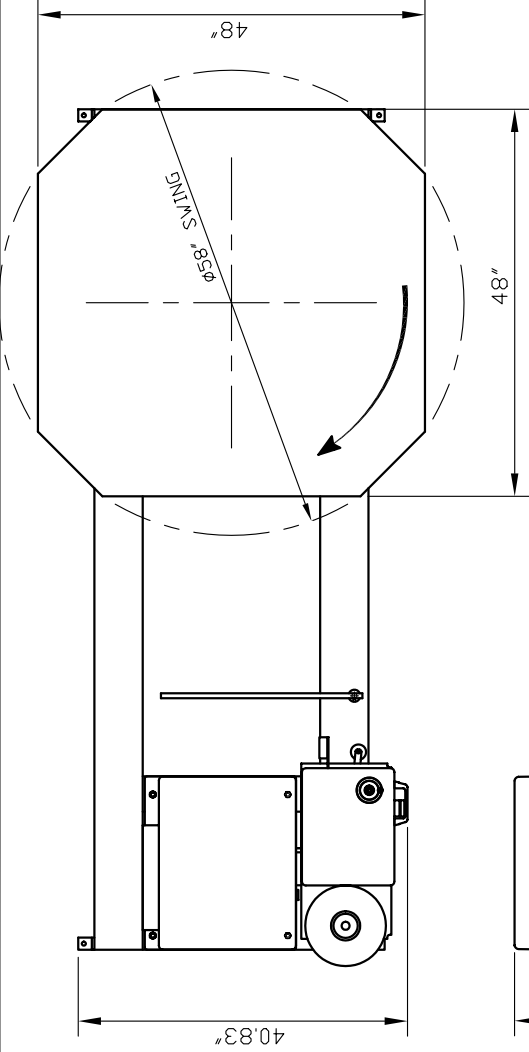


SER. No. •

**MATERIAL LIST**

| ITEM | QTY. | DESCRIPTION                               | PART No.     |
|------|------|---|--------------|
| 1    | 1    | BASE ASSY c/w 48" OCTAGONAL TURNTABLE     | G2500-053-00 |
| 2    | 1    | RAPID THREAD PRESTRETCH CARRIAGE ASSEMBLY | G2500-083-00 |
| 3    | 1    | STD. TOWER ASSEMBLY, 80" LOAD HEIGHT      | G2700-047-00 |
| 4    | 1    | CONTROL PANEL                             | T.B.A.       |
| 5    | 1    |   |              |
| 6    | 1    | FILM ROPING BAR                           | G2509        |



|                    |   |
|--------------------|---|
| SCALE 1 : 12       | TITLE HP-SW PLATFORM AUTOMATIC STRETCH WRAP MACHINE |
| DATE JUNE 15, 2011 | c/w 48" OCTAGONAL TURNTABLE & STD. TOWER            |
| DRAWN BY           | CHECKED BY  |
| SD                 |   |

| No.       | DESCRIPTION | DATE |
|-----------|-------------|------|
| REVISIONS |             |      |

**COUSINS PACKAGING INC.**

|                          |              |            |
|--------------------------|--------------|------------|
| DRAWING NO. G3000-067-00 | SHEET 1 OF 1 | REVISION 0 |
|--------------------------|--------------|------------|