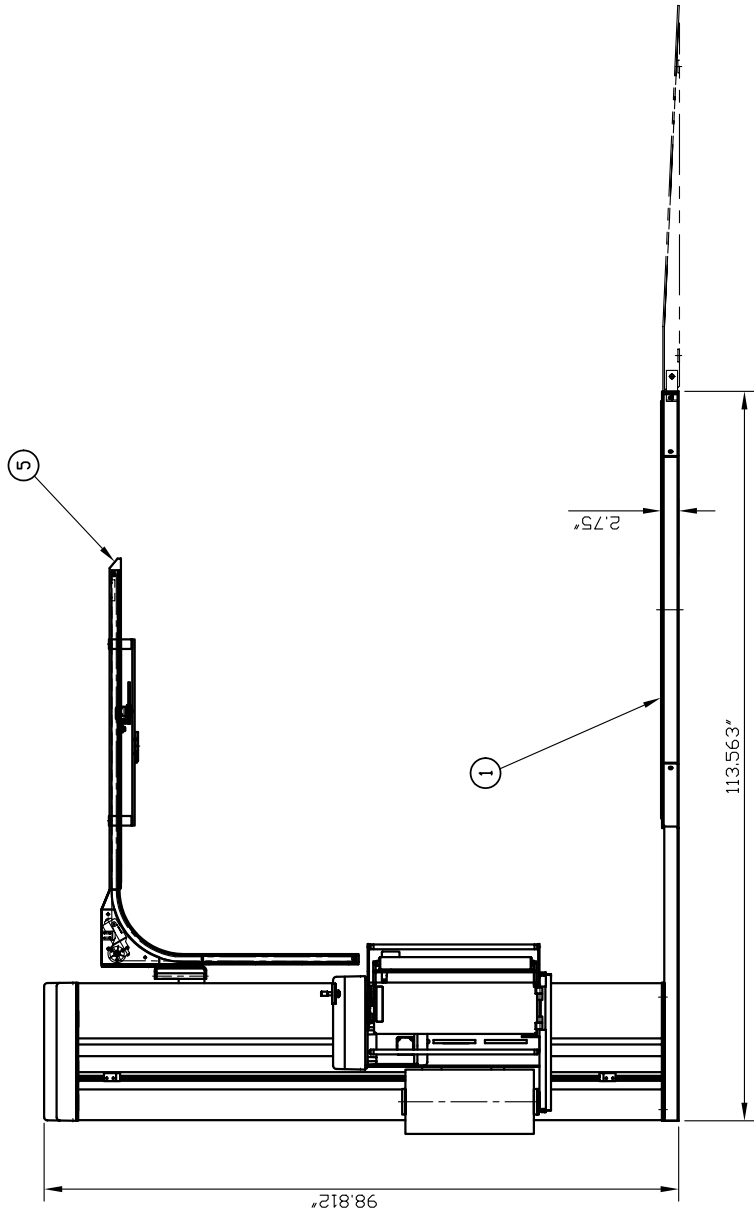
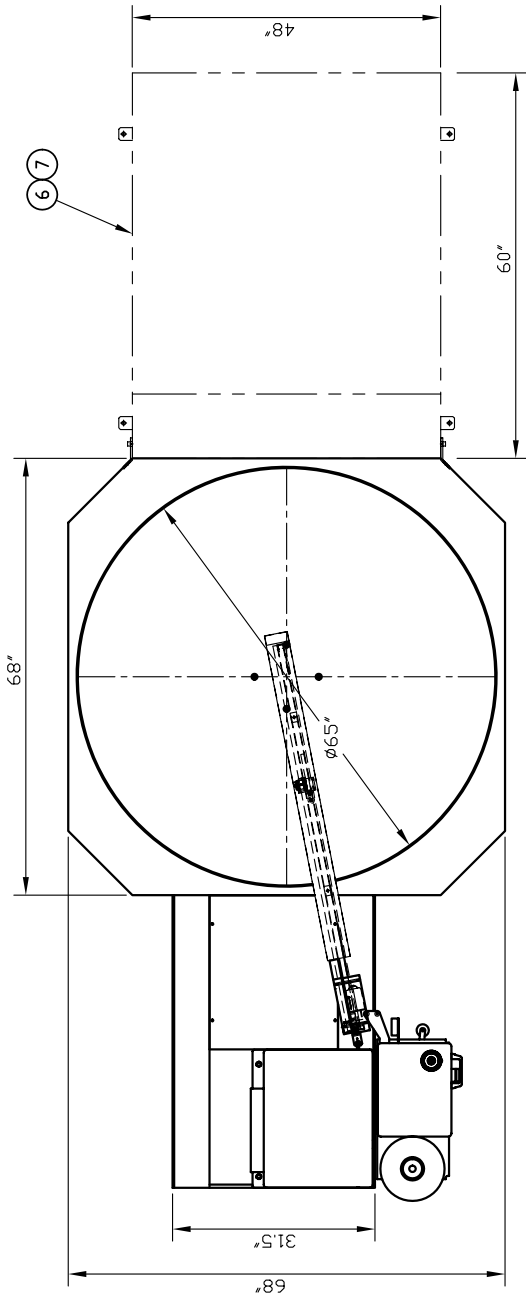


SER. No. •

**MATERIAL LIST**

ITEM	QTY.	DESCRIPTION	PART No.
1	1	BASE ASSEMBLY c/w 65" DIA. TURNABLE	G2300-084-00
2	1	RAPID THREAD PRESTRETCH CARRIAGE ASSEMBLY	G2900-083-00
3	1	STANDARD TOWER ASSEMBLY, 80" LOAD HEIGHT	G2700-047-00
4	1	CONTROL PANEL	T.B.A.
5	1	A-ARM DEVICE ASSEMBLY	G6700-038-00
6	(1)	OPTIONAL - RAMP WELDMENT 48" WIDE x 60" LONG	G3156
7	(2)	OPTIONAL - CONNECTING RAMP BRACKET	F2073

NOTE: OPTIONAL RAMP CAN BE INSTALLED ON FRONT OR SIDES OF MACHINE.



**COUSINS PACKAGING INC.**

No.	DESCRIPTION	DATE	DRAWN BY	CHECKED BY	DRAWING NO.	SHEET	REVISION
			SD		G3000-062-00	1 of 1	0

SCALE 1 : 15  
 DATE JUNE 10, 2011  
 DRAWN BY  
 CHECKED BY  
 TITLE LP-SVA PLATFORM AUTOMATIC STRETCH WRAP MACHINE  
 c/w 65" DIA. TURNABLE, STD. TOWER & A-ARM